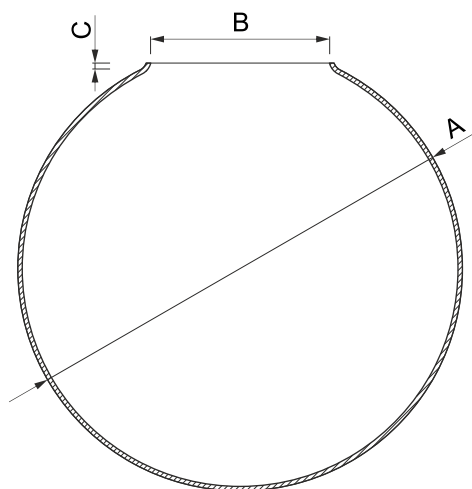


CATALOGUE SPHERES



Luzyce Glassworks

ul. T. Kościuszki 39, 59-930 Pieńsk, Polska – Poland
tel.: +48 75 778 64 11, 12, fax: +48 75 778 64 03; [http: www.luzyce.pl](http://www.luzyce.pl), e-mail: sprzedaz@luzyce.pl



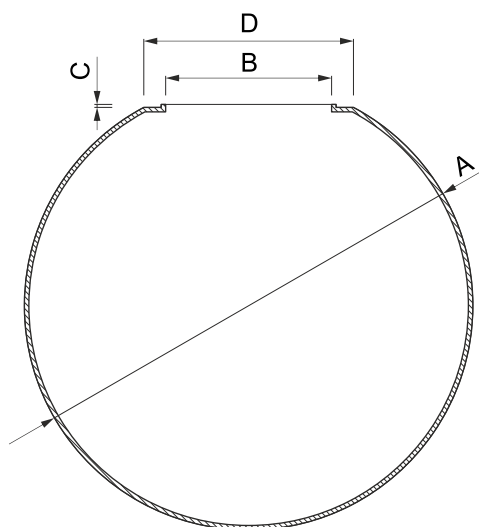
ARTICLE NUMBER	A - SHADE DIAMETER	B - INNER OPENING DIAMETER
KL4004	50	20
KL4064	90	24
KL4588	90	30
KL4539	106	33
KL4510	106	45
KL4529	106	45
KL4510A	106	48
KL4001	120	40
KL4002	120	45
KL4003	120	50
KL4008	120	75
KL4011	120	55
KL4040	130	40
KL4005	140	40
KL4006	140	45
KL4009	150	40
KL4010	150	45
KL4012	150	55
KL4014	160	65
KL4015A	160	70
KL4015	160	80

ARTICLE NUMBER	A - SHADE DIAMETER	B - INNER OPENING DIAMETER
KL4019	180	80
KL4021	180	100
KL4024	200	65
KL4025	200	80
KL4508	200	85
KL4517	200	90
KL4543	200	95
KL4027	200	100
KL4520	200	110
KL4520	200	115
KL5423	200	120
KL4031	250	80
KL4038	250	85
KL4544	250	95
KL4033	250	100
KL4518	250	110
KL4512	250	115
KL4035	250	120
KL4530	300	80
KL4545	300	95
KL4039	300	100
KL4516	300	110
KL4513	300	115
KL4515	300	120
KL5410	300	133
KL4555	300	144
KL4535	300	150
KL4048	350	100
KL4527	350	120
KL5160	350	124
KL4524	350	128
KL4049	350	150
KL4519	400	120
KL4532	400	128

ARTICLE NUMBER	A - SHADE DIAMETER	B - INNER OPENING DIAMETER
KL4595	450	150
KL5408	450	165
KL4594	500	150
KL5431	500	155
KL5409	500	165

B - opening diameter, tolerance of +/-2 mm.

C - height of the rim in all shades is +/-2 mm.

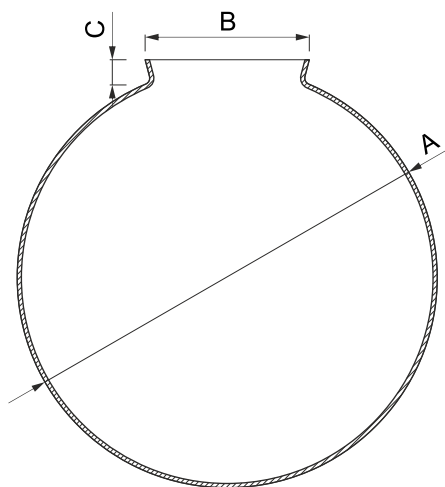


ARTICLE NUMBER	A - SHADE DIAMETER	B - INNER OPENING DIAMETER	D - LENGHT OF THE "STRAIGHT" AREA
KL4007	140	50	80
KL4504	150	68	92
KL4019	180	80	103
KL4025	200	80	103
KL4541	200	85	108
KL4576	200	85	110
KL4027	200	100	125
KL4573	200	114	145
KL4030	250	65	92
KL4031	250	80	124
KL4038	250	85	124
KL5422	250	92	125
KL5335	250	92	130
KL4033	250	100	124
KL4506	250	100	145
KL4574	250	114	145
KL4542	300	85	113
KL4554	300	92	127
KL4039	300	100	140
KL4575	300	114	145

ARTICLE NUMBER	A - SHADE DIAMETER	B - INNER OPENING DIAMETER	D - LENGHT OF THE "STRAIGHT" AREA
KL5424	300	120	150
KL4048	350	100	147
KL4527	350	120	147
KL4049	350	150	187
KL4577	400	114	146
KL4500	400	150	187

B - opening diameter, tolerance of +/-2 mm.

C - height of the rim in all shades is +/-2 mm.



ARTICLE NUMBER	A - SHADE DIAMETER	B - OUTER NECK DIAMETER
KL4537	106	55
KL4013	120	69
KL4538	140	78
KL4531	150	57
KL4045	150	80
KL4582	150	81
KL4016	160	80
KL4020	180	80
KL4022	180	100
KL4026	200	80
KL4533	200	90
KL4028	200	100
KL4568	200	120
KL4032	250	80
KL4034	250	100
KL4036	250	120
KL4041	300	100
KL4534	300	115
KL4525	300	120
KL4551	300	126
KL4501	300	150

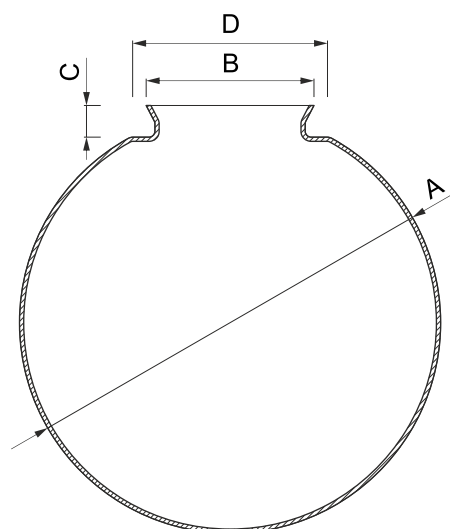
ARTICLE NUMBER	A - SHADE DIAMETER	B - OUTER NECK DIAMETER
KL4523	350	135
KL4042	350	150
KL4528	400	135
KL4046	400	150

B - neck diameter, tolerance of +/-2 mm.

C - height of the neck:

for spheres of Ø 200 inclusive, neck is 14 –16 mm

for spheres above Ø 200, neck is 16 –18 mm



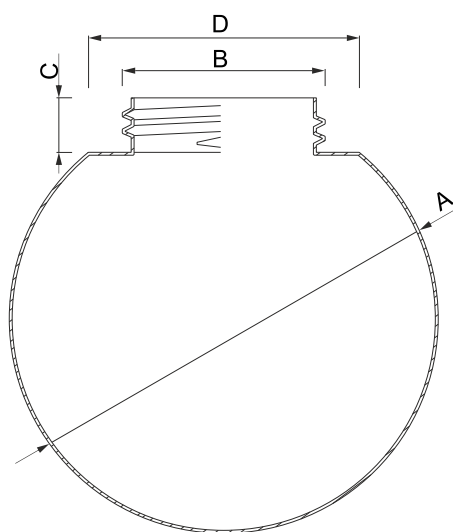
ARTICLE NUMBER	A - SHADE DIAMETER	B - OUTER NECK DIAMETER	D - LENGHT OF THE "STRAIGHT" AREA
KL4511	130	48	60
KL4045	150	80	95
KL4016	160	80	95
KL4020	180	80	103
KL4026	200	80	114
KL4522	200	95	110
KL4028	200	100	115
KL4032	250	80	114
KL4034	250	100	129
KL4041	300	100	140
KL4042	350	150	188

B - neck diameter, tolerance of +/-2 mm.

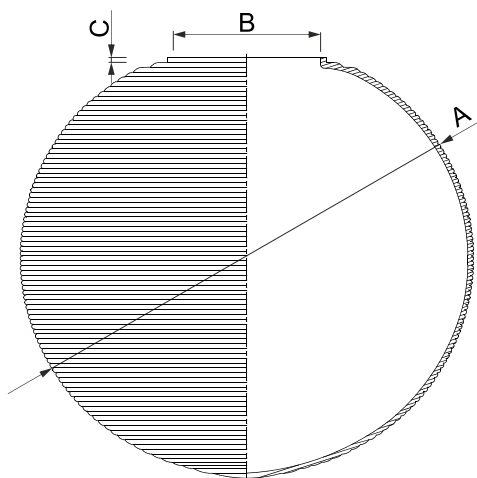
C - height of the neck:

for spheres of Ø 200 inclusive, neck is 14 –16 mm

for spheres above Ø 200, neck is 16 –18 mm



ARTICLE NUMBER	A - SHADE DIAMETER	B - OUTER NECK DIAMETER	C - THREAD HEIGHT	D - LENGHT OF THE "STRAIGHT" AREA
KL4047	150	84,5	18	95
KL4017	160	84,5	21	102
KL4037	180	84,5	23	114
KL4023	180	99	18	114
KL4044	200	84,5	19	103
KL4029	200	99	18	103



ARTICLE NUMBER	A - SHADE DIAMETER	B - INNER NECK DIAMETER
KL5588	300	100

B - opening diameter, tolerance of +/-2 mm.
C - height of the rim in all shades is +/-2 mm.